

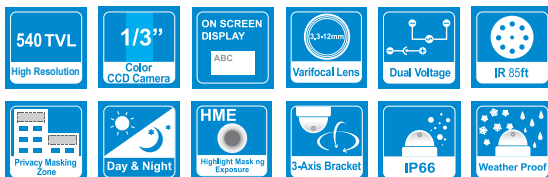


Summary

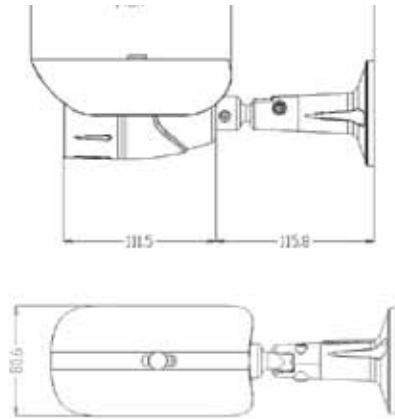
The High Resolution Bullet Camera B362DIR is the finest bullet camera with an affordable price. With its innovative features, sleek attractive design, and DW's patent-pending "No Fog and No Condensation" circuit, the camera is ideal for a wide range of video surveillance applications. This model offers a 3.3~12mm Varifocal lens with DRC (Dynamic Range Compressor) and Electronic Day/Night Mode with a Color Removal Circuit. All the camera's functions can easily be programmed with its built-in joystick and on-screen display.

Features

- 1/3" Sharp CCD
- 540 TV Line
- 3.3~12mm Varifocal Auto Iris Lens
- Easy Icon-Driven OSD Menu with Built-In Joystick
- 85ft Range IR with Intelligent Camera Sync
- Low Power Consumption
- Auto-Sensing 24 VAC/12 VDC with Line Lock
- Ultra Low-Light Sensitivity
- Secondary Video-BNC Output for Easy Installation
- DRC (Dynamic Range Compressor)
- HME (Highlight Masking Exposure)
- Auto BLC (Automatic Backlight Compensation)
- BLC (Backlight Compensation)
- SLC (Side Light Compensation)
- AGC (Automatic Gain Control)
- AWB (Auto White Balance)
- Mirror Function
- 4 Privacy Masking Zone
- Max 64 Motion Detection Zones
- No Fog or Condensation under Any Weather Condition
- IP66 Certified
- 3-Axis Bracket (Simple Camera Positioning)
- Video Test Output Included
- 2 Year Warranty



Dimensions (Unit : mm)



Specifications

Model		B362DIR
Camera TYPE	Color/BW	Digital Bullet IR Camera
	Device	1/3" Sharp CCD
	Image	
Image	Pixels-Total	811(H) x 508(V)
	Pixels-Effective	768(H) x 494(V)
	Scanning	
Scanning	System	525 line, 2:1 Interlace
	Horizontal Frequency Internal Mode	15,734Hz (NTSC)
	Horizontal Frequency Line-Lock Mode	15,750Hz (NTSC)
	Vertical Frequency Internal Mode	59.94Hz (NTSC)
	Vertical Frequency Line-Lock Mode	60Hz (NTSC)
Min. Scene Illumination	IR-LED on	0.0 Lux
	OSD Controls	
OSD Controls	BLC	ON / OFF
	Mirror	ON / OFF
	SLC	ON / OFF
	HME	ON / OFF
	DRC	ON / OFF
	Motion Detection	ON / OFF
	Privacy Zone	4 Programmable Zones
Lens	Focal Length	3.3 ~ 12mm (3.6x Optical)
	Resolution	Horizontal : 540 TV Lines [at TDN(B/W) : 560 TV Lines]
Video Output	VBS 1.0Vp-p	VBS 1.0Vp-p (75 Load)
S/N Ratio	S/N Ratio	50dB
Environmental Conditions	Operating Temperature	-10 °C ~ +55 °C (14 °F ~ 131 °F)
	Humidity	Less than 90%
Power	Power Requirement	12VDC / 24VAC
	Power Consumption	DC12 [V] LED Off: 1.7 [W] / AC24 [V] LED Off: 2.2 [W]
		DC12 [V] LED LED On: 4.1 [W] / AC24 [V] LED On: 4.1 [W]
Physical Specification	Dimensions	251.2mm x 80.6mm
	Nema Type	IP66
	Weight	1.279 lbs

(* Specification is subject to change without prior notice.